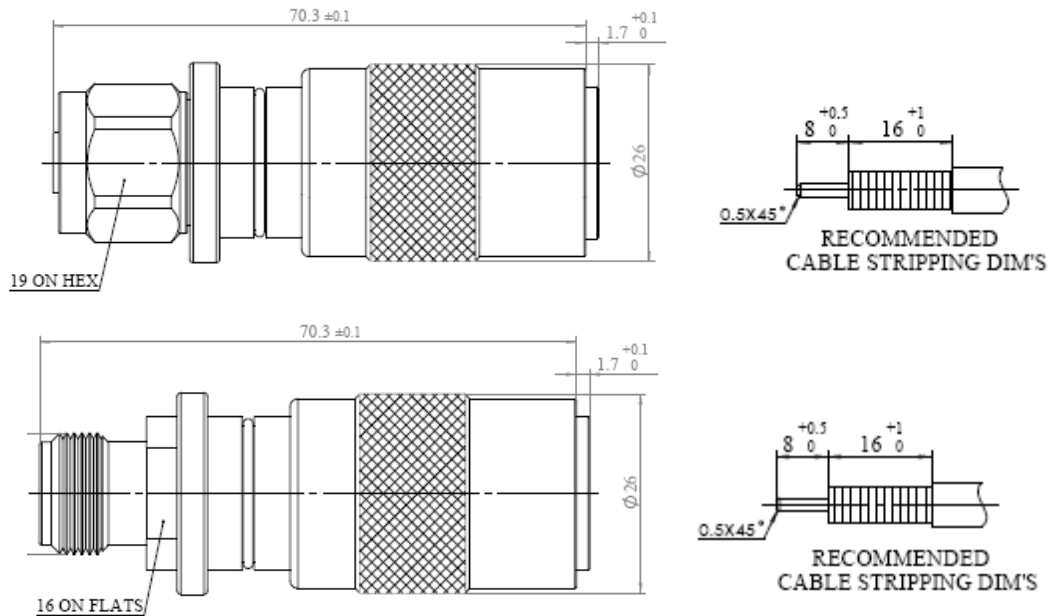


N Type Connector for 1/2" Coaxial Cable

CN-Nx-CF12, Compression



Specifications

Electrical	
Nominal Impedance - [Ω]	50
Operating Frequency - [GHz]	DC~3
Insulation Resistance - [$M\Omega$]	5000
Withstanding Voltage - [V]	2500
Insertion Loss - [dB]	≤ 0.05
VSWR	≤ 1.10
3rd Order Inter-modulation (PIM3) - [dBc] (@900MHz with 2x43dBm Carriers)	≤ -160

Mechanical	
Interface Durability, number of cycles	500
Connector Type	N Male or N Female
Outer Conductor Material	Brass, Ni or Copper-Tin-Zinc Plated
Inner Conductor Material	Beryllium Bronze, Ag Plated
Gasket Material	Silicon Rubber
Insulator Material	TPX
Assembly: Inner conductor insulation and outer conductor compressed.	

Environmental	
Operating Temperature - [$^{\circ}C$]	-40 ~ +85

Product Order Information

Model	ERP Code
CN-NM-CF12,Compression	100502-TBA-03
CN-NF-CF12,Compression	100502-TBA-03

*The product appearance and dimension is subject to change without prior notice.