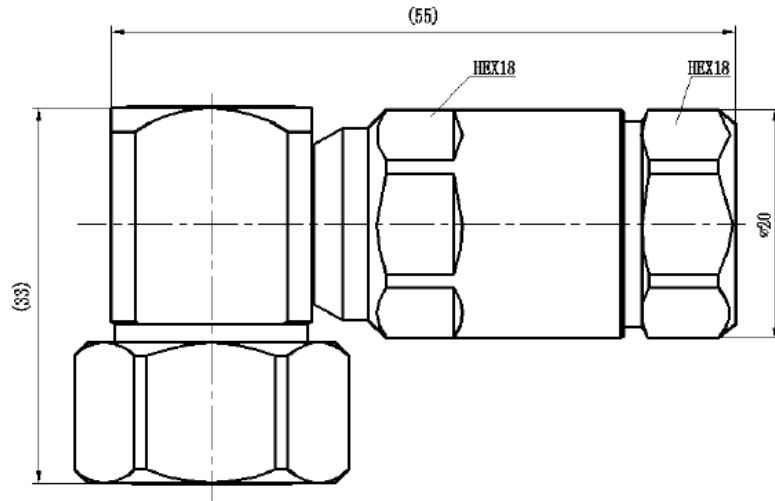


## 4.3-10 Right Angle Type Connector for 1/2" Super-flexible Coaxial Cable, Screw Type CN-4.3-10MR-CS12-3.8G



### Specifications

Electrical	
Nominal Impedance - [ $\Omega$ ]	50
Operating Frequency -[GHz]	DC~3.8
Inner Conductor Contact Resistance - [ $m\Omega$ ]	$\leq 1.0$
Outer Conductor Contact Resistance - [ $m\Omega$ ]	$\leq 1.0$
Insulation Resistance - [ $M\Omega$ ]	5000
Withstanding Voltage - [V]	2500
Insertion Loss - [dB](DC-3G)	$\leq 0.15$
VSWR	$\leq 1.15$
3rd Order Inter-modulation (PIM3) – [dBc] (@2x43dBm Carriers)	$\leq -155$

Mechanical	
Interface Durability, number of cycles	100
Connector Type	4.3-10 Male Right Angle
Outer Conductor Material	Brass, Tri-Alloy Plated
Inner Conductor Material	Phosphor Bronze, Ag Plated
Insulator Material	PTFE

Environmental	
Operating Temperature - [ $^{\circ}C$ ]	-40 ~ +85

### Product Order Information

Model	ERP Code
CN-4.3-10MR-CS12-3.8G	100502-000276-45

\*The product appearance and dimension is subject to change without prior notice.